

High-precision and efficient manufacturing

Customized wire solutions

Our ambition: **Your partner for excellence**

As skilled **specialist for wire technology**, we offer high-precision and efficient manufacturing **„Made in Germany“**.

With our qualified staff we convince with high quality products, perfect service and unconditional reliability.

We build long-term cooperation with our suppliers and partner companies, characterized by fairness and mutual trust.

Always with the goal in mind: long-term satisfaction of our customers with the optimal wire solution.

Let's achieve more together.

MEETING ALL REQUIREMENTS

To help our customers achieve their goals, we have been constantly developing for 60+ years.



250+

qualified employees at 3 locations

31

welding machines in production

30.000 m²

production area

30.000+

tons of wire processed per year

55+ Mio €

Sales (2021)

1959

Deutenberg was founded

1962

WDM was founded

1993

Foundation of Midrahtec in Leisnig (Saxony)

2008

WDM: Entry into 3-dimensional production

2014

First-time handling of major projects for online retailers

2019

Expansion through acquisition of Midrahtec

2021

Merger of WDM and Deutenberg

today

With 31 CNC welding machines and three production sites, WDM Deutenberg is the largest wire mesh manufacturer in Europe

A flexible team that you can always rely on



Location Wolfshagen

Putlitzer Straße 8
16928 Gross Pankow
Germany



Location Ense

Auf den Geeren 22-24
59469 Ense
Germany

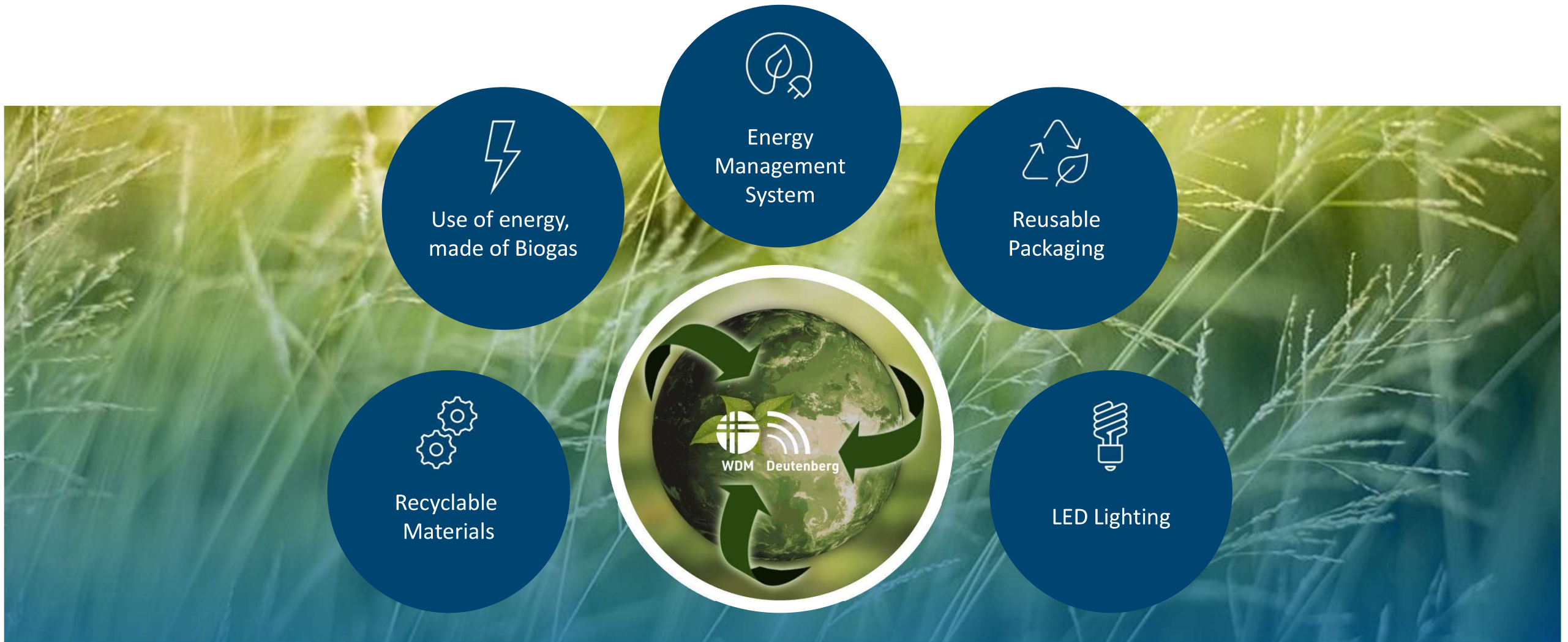


Location Leisnig

Gorschmitzer Weg 2c
04703 Leisnig
Germany



Sustainability



VALUE// WE HAVE THE OPTIONS – YOU HAVE THE CHOICE



The right solution for all purposes: Our modular product portfolio

PRODUCT TYPES

Industry and welded mesh

Wire baskets

Complete pull-out systems

Custom-made products

Grid systems

partition walls, frames, reinforcement, cages,
mats, shelf grids, Stainless Steel

Gabion solutions

fences, baskets, noise protection

MATERIALS

Raw / bare wires

Galvanized wires

Aluminium galvanized wires

Stainless Steel wires

MATERIAL STRENGTHS

The diameter of the wires ranges from 1.6 up to 12 mm

FINISHING & ASSEMBLY

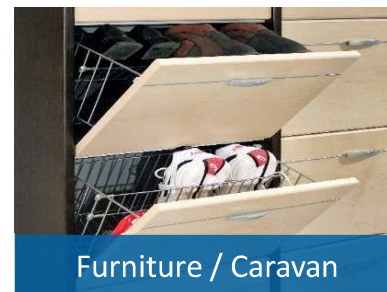
Surface finishing – coating – galvanizing
and assembly of components

Our core industries

Our products are manufactured using modern machines **with the highest accuracy and care.**

Our machinery includes CNC bending and CNC spot welding machines, as well as punching and other high-end machines.

We produce with an efficient usage of tooling and **therefore process wires effectively and economically** into complex technical wire articles.



VALIDATION // THE RESULTS SPEAK FOR THEMSELVES



Highest customer satisfaction in all industries and long-term trust are our hallmarks



WDM Deutenberg is always competent, reliable and searches for the best solution - in teamwork with us.

Project Manager Railway Vehicle Builder



The cooperation was very pleasant. We received professional advice and the solution was tailored to our needs.

Purchasing Manager Installation Technology

Project Support

SCOPE

From the customer's request to the best-practice solution



Engineering

Project support for the customer's request; finding the best-practice solution



Offer

After finding the best possible solution, an detailed offer, including a drawing, is prepared



Sampling

Possible sampling; creation of a near-production-ready sample for serial production



Order Placement

Possible order placement after negotiation



Reconditioning

Constructive preparation for production with feedback and final approval of the customer

Preparation of all complete drawings, based on the offer and final samples, for serial production



Delivery

Just-in-time delivery; regular coordination with the project- or site manager to ensure a smooth progress

Your competent partner, also for the implementation of large projects

REFERENCE EXAMPLE

Long-term relationship with Europe's largest manufacturer for cable ducts:

advice on production concept & process optimization
→ narrow WDM Deutenberg GmbH tolerances enable fully automated customer production

start
2008

ongoing
cooperation

quantity
>1.000 t / year

advise on application-specific optimal material & coating

short-term delivery, due
to 3 production sites

outstanding
manufacturing expertise



EXPERTISE // MORE THAN JUST STANDARD



Your competent partner, also for the implementation of special solutions

REFERENCE EXAMPLE

Leading supplier of cable ducts for rail vehicles:

top priority → safety and durability, even under challenging conditions

successful long-term cooperation

> 45 km cable ducts / year

deliveries of complete systems by WDM Deutenberg, according to customer requirements

Railway Certification according to DIN - 15085

highest quality standards



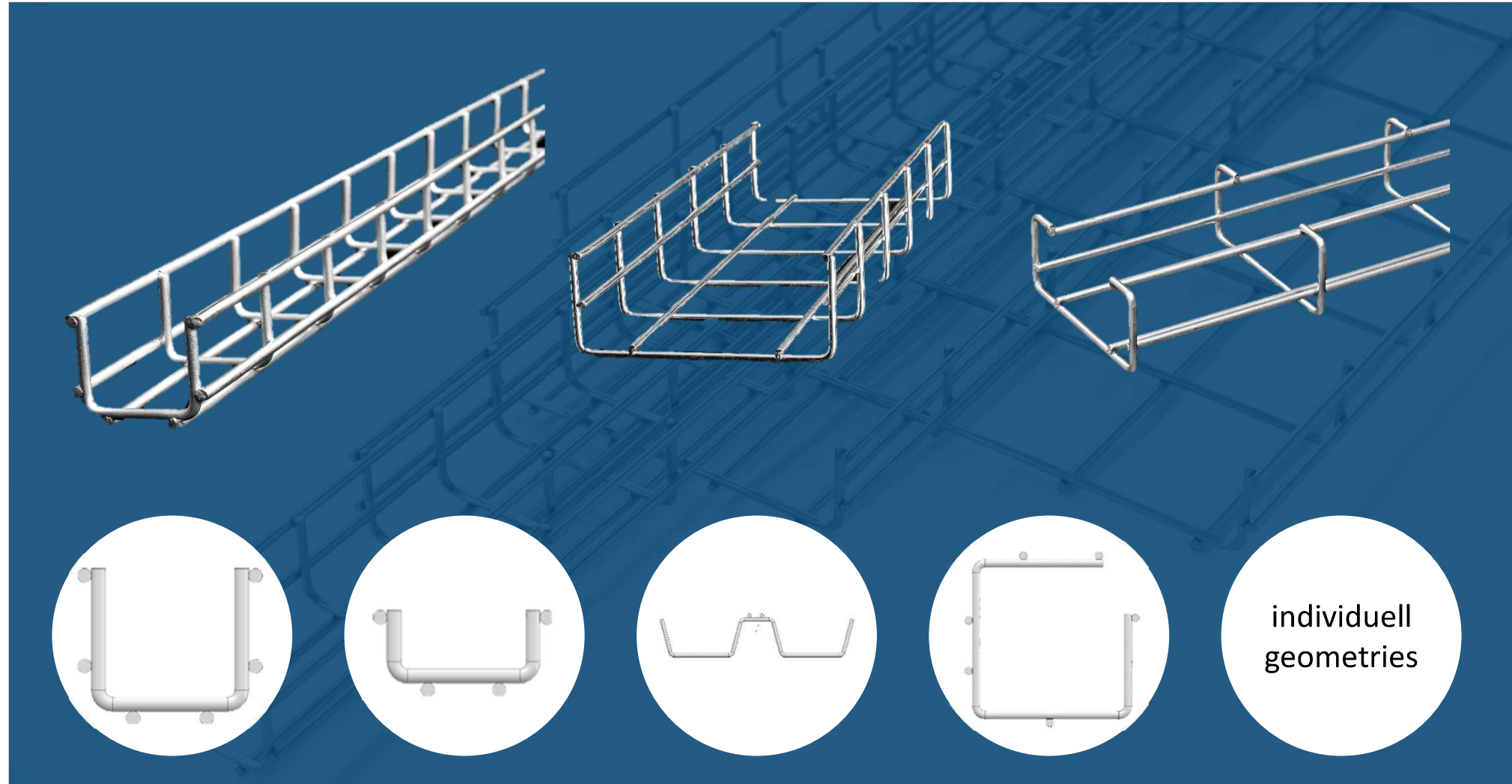
Different geometries and variants for your requirements

Wire specifications:

- Raw / bare
- Pre-galvanized
- Galvanized
- Aluminium galvanized
- Stainless Steel

Diameters:

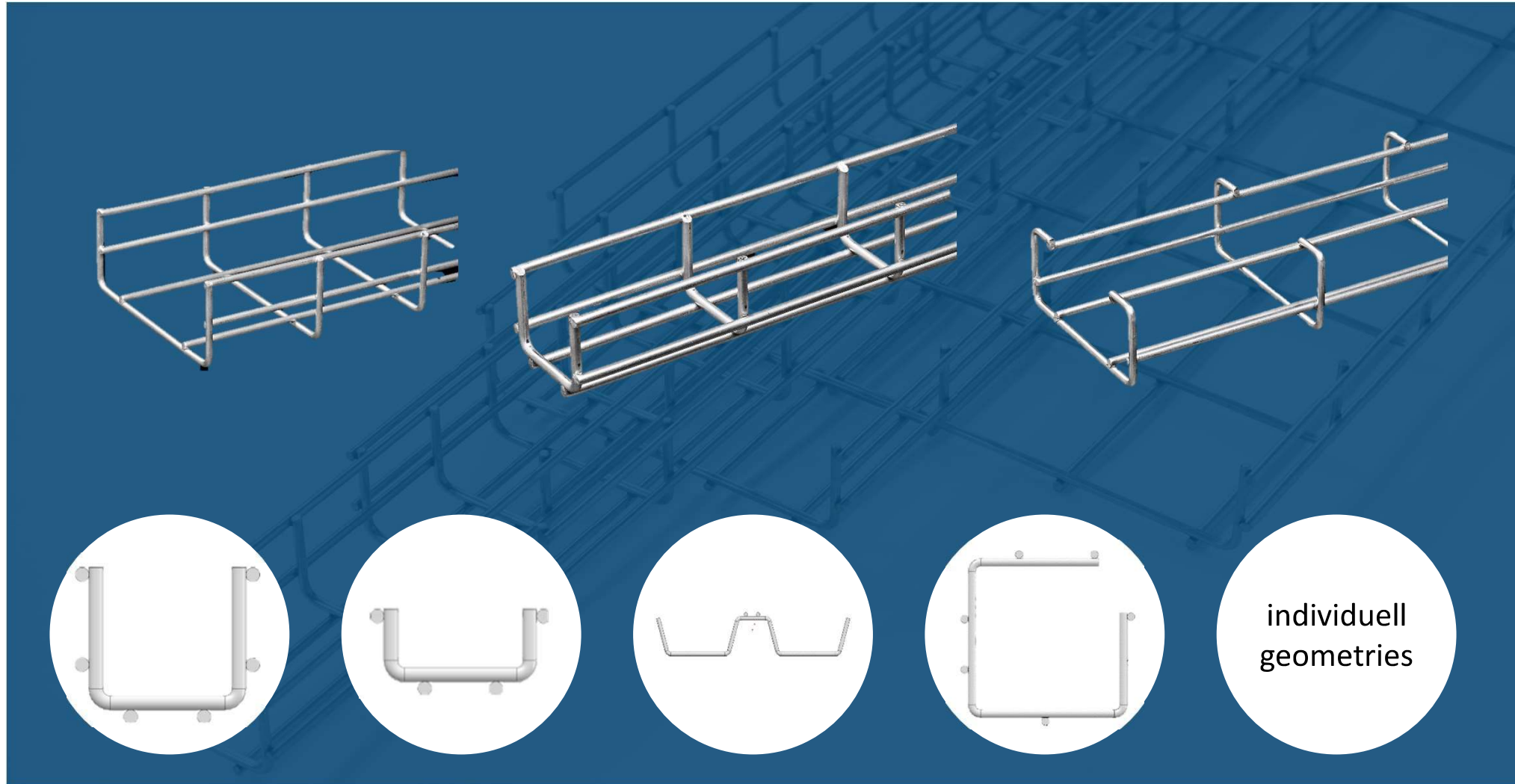
- standard material from \varnothing 3,0 to 5,0 mm
- Other diameters possible



Different geometries and variants for your requirements

Measurements:

- standard outer dimensions:
from 500 x 100 mm
to 4.000 x 1.000 mm
- standard mesh dimensions:
from 50 x 20 mm
to 100 x 60 mm
- other outer dimensions
and mesh widths are
feasible



Our comprehensive range is unique on the market in terms of vertical integration and performance

Since our foundation, we have become the **largest wire mesh manufacturer in Europe**. Over 60 years of experience and dedication have sharpened our eye for the diverse requirements of our customers.

As your competent partner, we offer comprehensive solutions that make it easier than ever to find **the optimal wire solution for your needs**.

KNOW HOW

Experience in the management of large projects

EFFICIENCY

Processing of large orders within the desired time frame, including short delivery times

RELIABILITY

Personal support and service

INNOVATION

Own engineering, including intellectual property rights such as utility model protection/patent

CUSTOMISATION

Customized production, starting from a batch size of 1

NETWORK

Benefits from synergy effects through our partner and company mergers